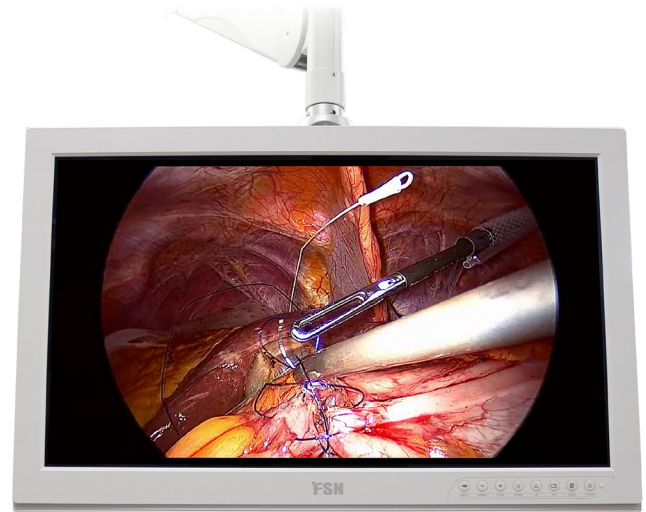


26" HD LED Medical Display

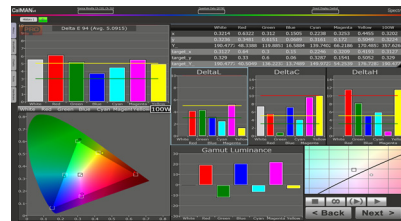
Integration-ready surgical displays from FSN offer functionality for rapid and seamless deployment in surgical suite applications where many different video signals are present. The luminance and color temperature found in FS-P2603D combine to offer the optimal visualization quality demanded in today's OR. Settings can be adjusted and saved to match surgical equipment such as endoscopy cameras and fluoroscopy imaging devices. A wide viewing angle lets medical professionals view images from a variety of locations in the OR.

- Compatible with new or existing surgical integration applications
- Full-featured image control, precise surgical site visualization
- Allows mounting on spring arms and surgical booms
- Conforms to Electromagnetic Directive 2004/108/EC and 93/42/EEC
- Medical-grade construction, surgical environment ready
- Certified for near-patient use in the sterile field.

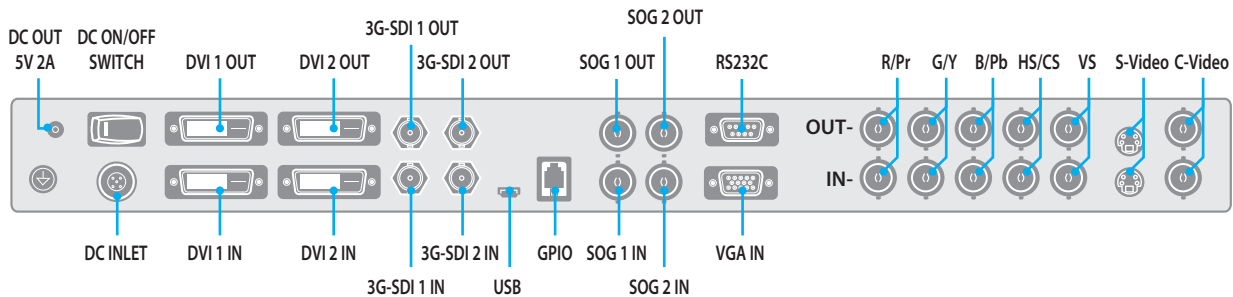


FS-P2603D has the latest advanced features built in. The input/output options have been expanded, including dual DVI and on-board DC out power for smaller component needs. This unit features LED backlight technology and an engineered polymer housing.

Accurate Color Reproduction



FSN has implemented methods to fine-tune the properties of our displays. Distinct color space settings have been calibrated to well-known surgical color preferences.

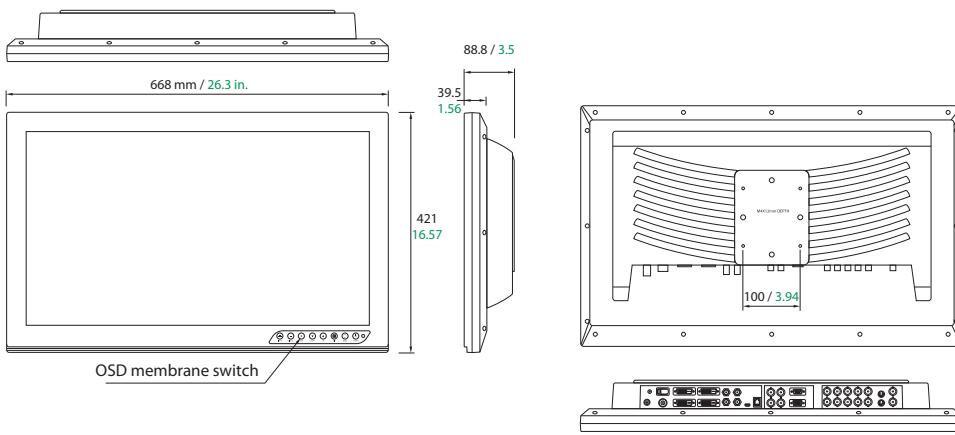


FSN displays have the connections you need. All major inputs are accepted via the back side connection panel.

Specifications

General Features

Item	Description
Panel	26" inch TFT LCD (IPS)
Resolution	1920 x 1080 pixel (HD 1080)
Aspect Ratio	16 : 9
Active Area	576.0 X 324.0 mm
Input Signal	2 x DVI-D 2 x SD/HD/3G-SDI (BNC) 2 x SOG 1 x VGA (D-sub) 1 x C-Video (BNC) 1 x S-Video (DIN) 1 x Component (RGBS, YPbPr) (5 x BNC)
Output Signal	2 x DVI-D 2 x SD/HD/3G-SDI (BNC) 2 x SOG 1 x C-Video (BNC) 1 x S-Video (DIN) 1 x Component (RGBS, YPbPr) (5 x BNC)
GPIO Port	Swap, PIP / PBP1 / PBP2 Select, Record indicator
User Control	8 Buttons OSD Control RS232 Control GPIO Control
Power Consumption	Under 70 Watt
Plug & Play	DDC 2B
DDC CI	Support
Unit Dimension	668(W) x 421(H) x 88.8(D) mm 26.3(W) x 16.6(H) x 3.5(D) inch
Weight	8.2 kg, 18 lbs
Pixel Pitch	0.3 (W) x 0.3 (H)
Contrast Ratio	1400 : 1 typical
Viewing Angle (CR>10)	R/L 178, U/D 178
Response Time (G-to-G)	8 ms (avg.)
Surface Luminance	450 (5 points avg.) cd/m2



Output Signal Timing

Signal	Type	Description
DVI	Type	Digital RGB
	Signal Format	TMDS single link
	Connector	DVI-D
C-Video	Type	C-Video
	Color system	NTSC, PAL
	Signal Format	Composite Video Signal
S-Video	Type	S-Video
	Color system	NTSC, PAL
	Signal Format	Y/C Separated Video Signal
SDI	SMPTE-425M	1080p (60 / 59.94 / 50)
		1080i (60 / 59.94 / 50)
	SMPTE-274M	1080p (30 / 29.97 / 25 / 24 / 24sF / 23.98 / 23.98sF)
		1080i (60 / 59.94 / 50)
	SMPTE-296M	720p (60 / 59.94 / 50)
	SMPTE-260M	1035i (60 / 59.94)
	SMPTE-125M	480i (59.94)
	ITU-R BT.656	576i (50)
	Type	Analog Y/G, Pb/B, Pr/R
	Connector	BNC
Level	0.7Vp-p ±5%	
Component Video	Polarity	Positive
	Impedance	75 ohm ±5%
	Horizontal frequency	30 ~ 93KHz
	Vertical frequency	50 ~ 85Hz
	Applicable max. pixel frequency	170MHz
SDI	Maximum resolution	1920x1080 / 60Hz (148.5MHz Timing, NON-CRT)
	Type	H/CS,VS
Component Sync	Level	TTL Level (V high ≥2.0V, V low ≤0.8V)
	Polarity	Positive or Negative
	Connector	BNC
SOG	Type	Sync on green
	Input Signal Level	1.0Vp-p (Video :0.7Vp-p / Sync : 0.3Vp-p)
	Impedance	75 ohm ±5%
	Input Signal Frequency	MAX. 162MHz

Input Signal Timing

Signal	Type	Description
VGA Video	Type	Analog RGB
	Connector	DSUB-15
	Level	0.7Vp-p ±5%
	Polarity	Positive
	Impedance	75 ohm ±5%
	Horiz. frequency	30 ~ 93KHz
	Vertical frequency	50 ~ 85Hz
	Applicable max. pixel frequency	170MHz
	Max. resolution	1920x1200 / 60Hz (154MHz Timing, NON-CRT)
	Type	Separate H/V sync, Composite H/V sync, Sync On Green Automatic synchronization without external switch
VGA Sync	Level	TTL Level (V high ≥2.0V, V low ≤0.8V)
	Polarity	Positive or Negative
	Range	Automatic synchronization for applicable resolution modes which follows industrial standard within frequency range of 30 to 93KHz in horizontal and 50 to 85Hz in vertical
	Terminal resistance	more than 2KΩ
DVI	Type	Digital RGB
	Signal Format	TMDS single link
	Connector	DVI-D
C-Video	Type	C-Video
	Color system	NTSC, PAL
	Signal Format	Composite Video Signal
S-Video	Type	S-Video
	Color system	NTSC, PAL
	Signal Format	Y/C Separated Video Signal
SDI	SMPTE-425M	1080p (60 / 59.94 / 50)
		1080i (60 / 59.94 / 50)
	SMPTE-274M	1080p (30 / 29.97 / 25 / 24 / 24sF / 23.98 / 23.98sF)
		1080i (60 / 59.94 / 50)
	SMPTE-296M	720p (60 / 59.94 / 50)
	SMPTE-260M	1035i (60 / 59.94)
	SMPTE-125M	480i (59.94)
	ITU-R BT.656	576i (50)
	Type	Analog Y/G, Pb/B, Pr/R
	Connector	BNC
Level	0.7Vp-p ±5%	
Component Video	Polarity	Positive
	Impedance	75 ohm ±5%
	Horizontal frequency	30 ~ 93KHz
	Vertical frequency	50 ~ 85Hz
	Applicable max. pixel frequency	170MHz
SDI	Maximum resolution	1920x1080 / 60Hz (148.5MHz Timing, NON-CRT)
	Type	H/CS,VS
Component Sync	Level	TTL Level (V high ≥2.0V, V low ≤0.8V)
	Polarity	Positive or Negative
	Connector	BNC
SOG	Type	Sync on green
	Input Signal Level	1.0Vp-p (Video :0.7Vp-p / Sync : 0.3Vp-p)
	Impedance	75 ohm ±5%
	Input Signal Frequency	MAX. 162MHz

Specifications are subject to change with or without notice. Doc. # FSN1948 Rev. 9/15